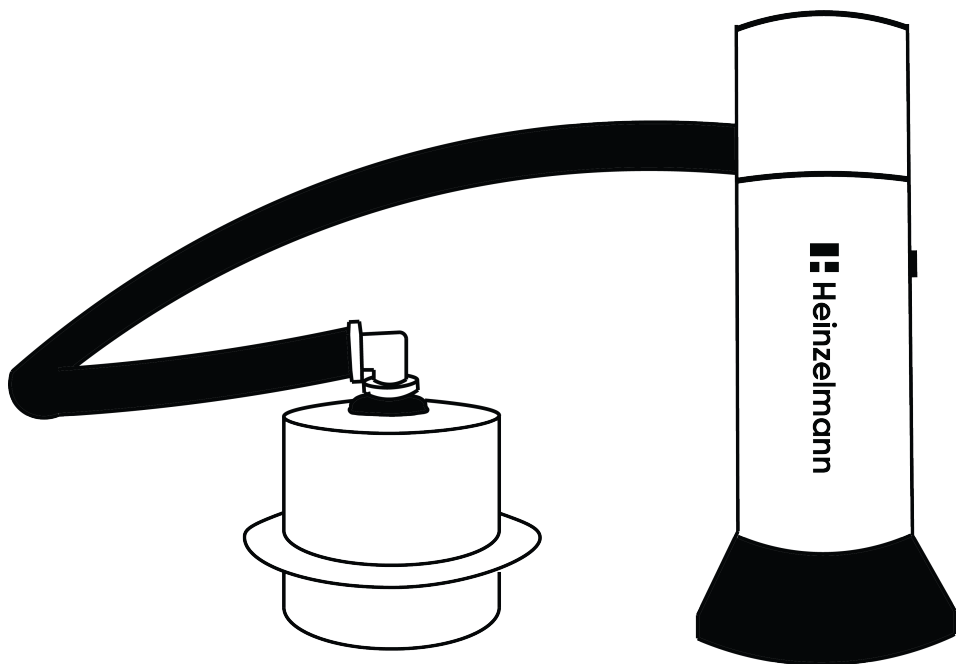




# USER INSTRUCTIONS BEDIENUNGSANLEITUNGEN

## Heinzelmann SMOKER

### HMSG01



Thank you for your trust and the purchase of the “Heinzelmann SMOKER”.

For a safe handling of the product and to get to know the entire scope of the Heinzelmann SMOKER:

- ❖ Thoroughly read these user instructions prior to initial use.
- ❖ Follow the safety instructions.
- ❖ The product should only be used as described in these operating instructions.
- ❖ Keep these user instructions for reference.

## **1. Safety instructions**

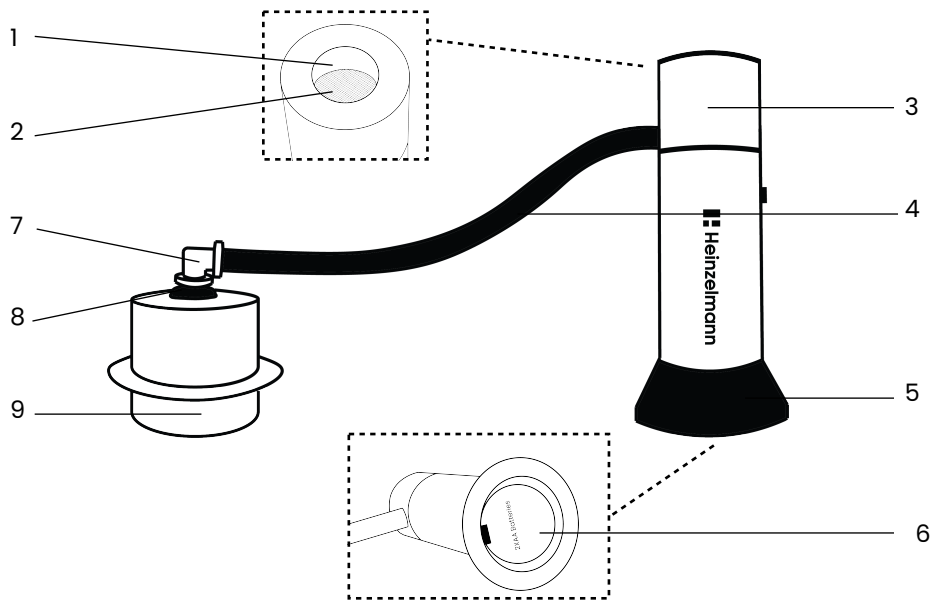
- ❖ This product is only intended for food preparation.
- ❖ Do not immerse this product in water or any other liquid. No parts are dishwasher safe.
- ❖ Allow to cool before touching, cleaning, or storing.
- ❖ The use of attachments which are not recommended by the manufacturer may cause injuries.
- ❖ Do not attempt to burn anything other than small wood chips, wood sawdust, dried herbs, cooking spices, or tea leaves in the smoking chamber.
- ❖ NEVER leave the product unattended.
- ❖ Use only in a well-ventilated area; the burning of wood chips/dust, dried herbs, cooking spices, and/or teas may produce hazardous substance maybe harmful to your health.
- ❖ The product gets very hot during usage.
- ❖ Always use the product in an upright position. Heated smoking materials may fall out if the product is tipped, resulting in a fire hazard.
- ❖ Always empty ash and burnt material into a non-flammable receptacle.
- ❖ Exercise proper care when igniting the smoking materials; improper ignition of flammable materials may result in explosion or fire hazard.
- ❖ Always use a match or lighter to ignite the materials in the smoking chamber.
- ❖ DO NOT USE a “kitchen torch” or other flaming device as the excessive heat may damage the unit.
- ❖ This product is not intended for use by persons with reduced physical, sensory, or mental capabilities, or lack of experience and knowledge.

- ❖ Avoid using the product in areas where smoke may activate smoke alarms or fire suppression systems.
- ❖ Never turn the product "ON" without the smoker head in place. Moving metallic fan blades may cause bodily harm or injury.
- ❖ Never operate the product without the stainless-steel mesh **[2]** in place.
- ❖ Removal or disassembly of any parts of the product other than the smoker head **[3]**, stainless steel mesh **[2]**, battery compartment and cover **[6]**, or batteries may result in irreparable damage.

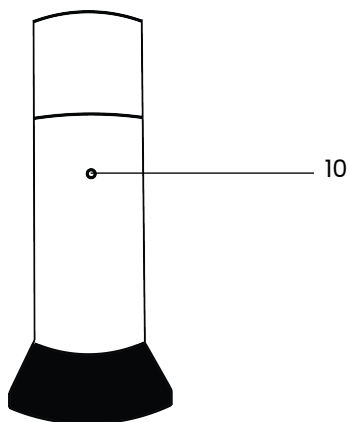
## **Battery Safety Instructions**

- ❖ Do not expose batteries to extreme temperature such as from direct sunlight or fire. Do not place the product on a heating source.
- ❖ If batteries are already leaked, remove them from the battery compartment with a clean cloth. Dispose the batteries in accordance with the provisions. Avoid contacting the leaked battery acid.
- ❖ CAUTION! There is a danger of explosion if the batteries are inserted incorrectly. Use only the same battery types. Do not use old and new batteries together and of different type from different manufacturer.
- ❖ Always insert batteries in accordance (+) and (-) polarity as illustrated in the battery compartment
- ❖ Batteries are life-threatening if swallowed. Store all batteries out of the reach of the children. Seek medical help immediately if batteries are swallowed.
- ❖ Do not allow children to change batteries.
- ❖ Remove the batteries when you are not going to be using the product for a long period of time.

## 2. Overview



1. Smoking Chamber
2. Stainless-steel mesh filter
3. Smoker head
4. Hose
5. Base
6. Battery compartment and cover
7. L shape connecting tube
8. Valve
9. Transparent lid cap
10. On/off button



### **3. Operation**

1. Remove the battery compartment cover **[6]** at the bottom of the product, by pressing the locking clip at the bottom of the product.
2. Insert 2 batteries of same type (3V, 2 x 1.5V , battery type AA, not included) according to the polarity markings at the battery compartment **[6]**.
3. Do not use new and old or different types of batteries together.
4. Then, close the battery compartment **[6]** afterwards.
5. Connect the parts as shown above, the transparent lid cap with valve should replace the Heinzelmännchen CHEF-X transparent lid cap.
6. Put the wood chips on the stainless-steel mesh **[2]** in the smoking chamber **[1]** , press the on/off button to turn on the product, then ignite the wood chips by a match or lighter.
7. Once finished, press the on/off button **[10]** one more time to turn off the product.
8. When the product is cooled down, remove the smoker head **[3]** for cleaning.

### **4. Discarding & Environment**

When decommissioning the appliance, the product must not be disposed of with other household waste. Instead, it is your responsibility to dispose of your waste equipment by handing it over to a designated collection point. Failure to follow this rule may be penalized in accordance with applicable regulations on waste disposal. The separate collection and recycling of your waste equipment at the time of disposal will help conserve natural resources and ensure that it is recycled in a manner that protects human health and the environment. For more information about where you can drop off your waste for recycling, please contact your local waste collection company. The manufacturers and importers do not take responsibility for recycling, treatment, and ecological disposal, either directly or through a public system.

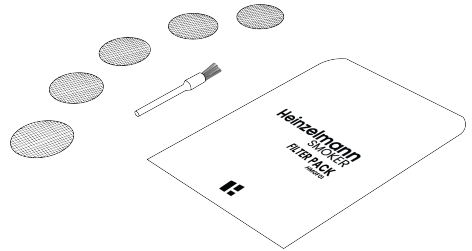
## 5. Technical specifications

Battery operated by 2xAAA batteries. For indoor use only.



## 6. Order spare parts

Spare part: **Heinzelmann SMOKER FILTER PACK**, item number **HMGF01** can be ordered online, [shop.heinzelmannpro.com](http://shop.heinzelmannpro.com). You may also contact your local distributor for ordering the "**Heinzelmann SMOKER FILTER PACK**".



Ver202109